

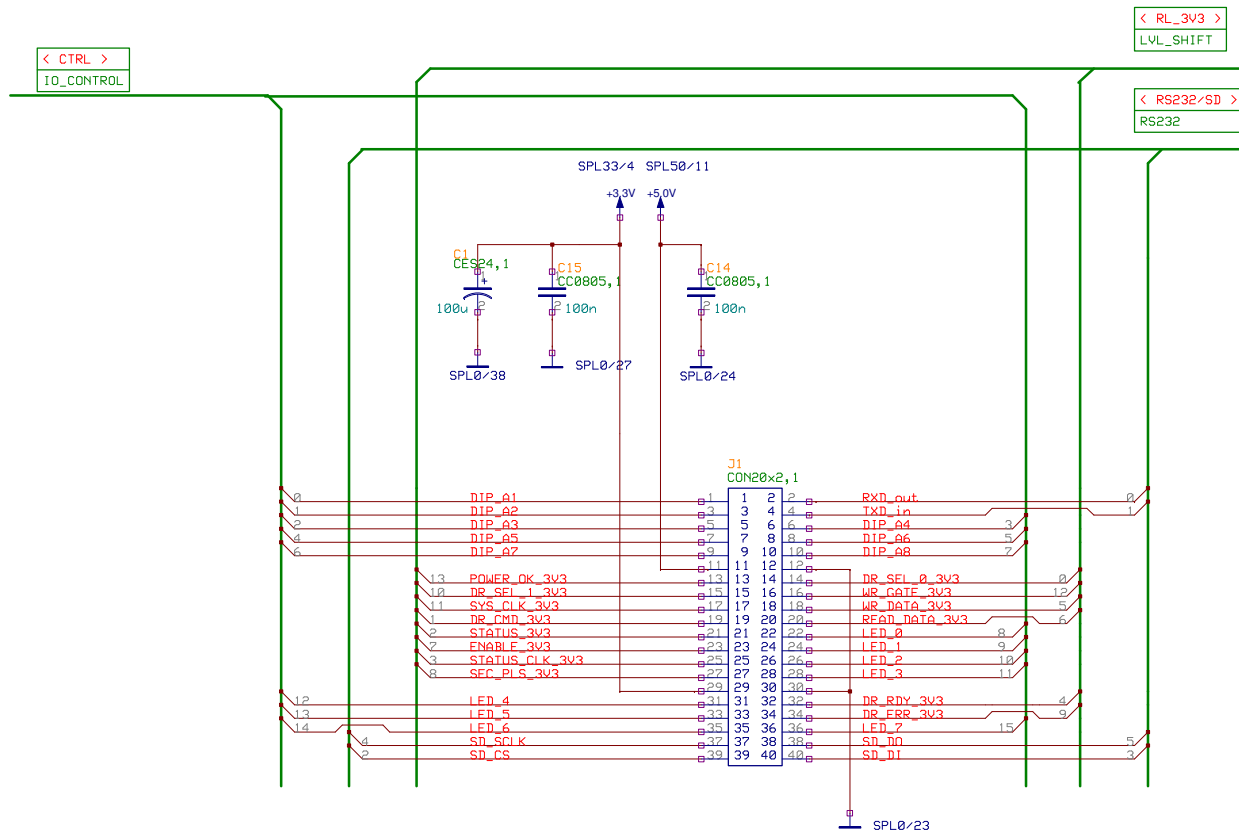


H1
PKG_M_H_100,1

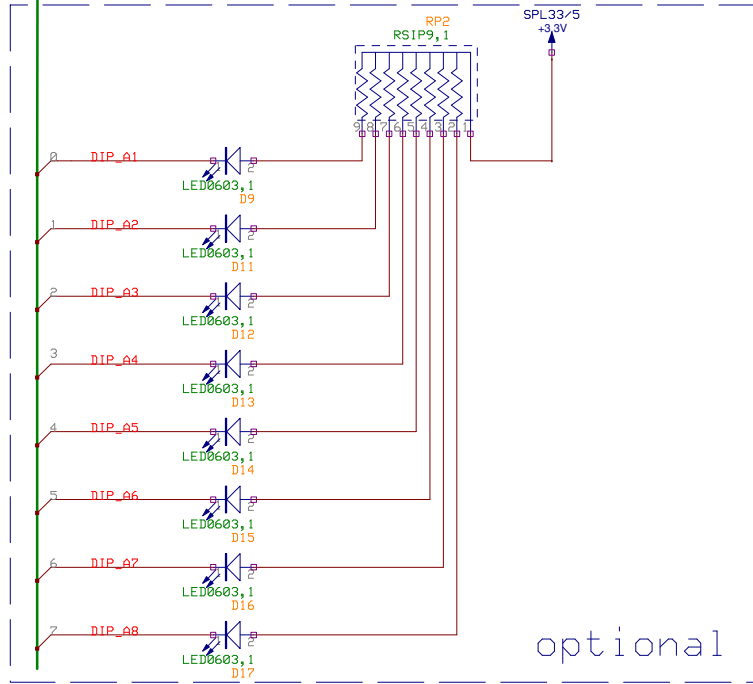
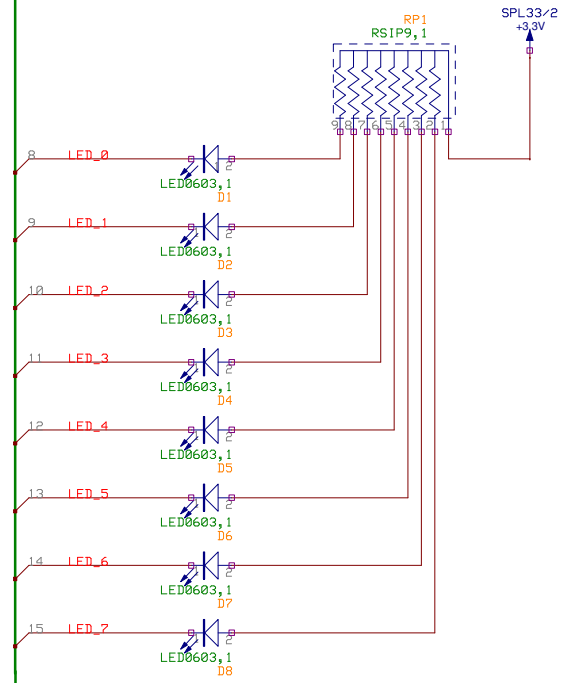
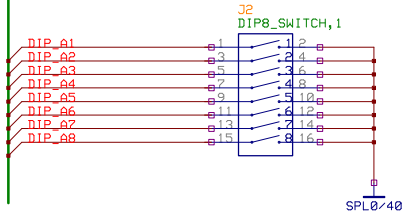


H2
PKG_M_H_100,1

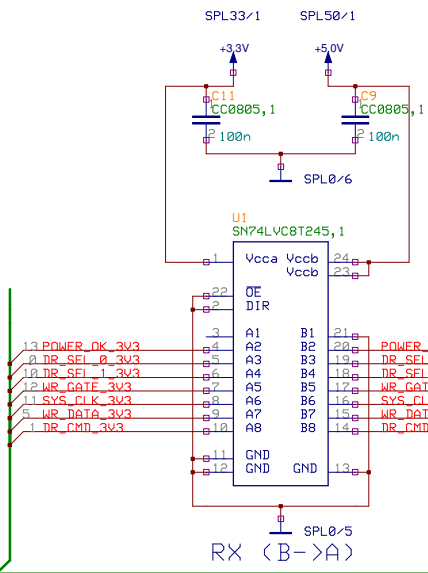




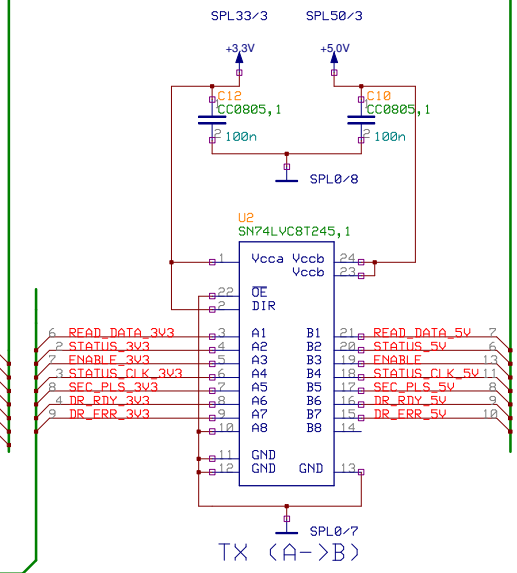
< CTRL >
FPGA_INTERFACE

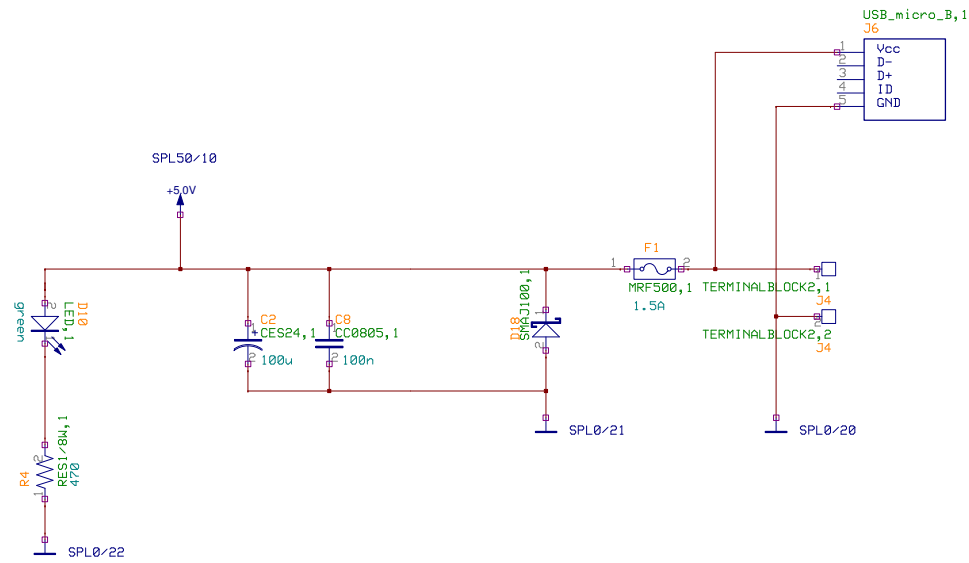


< RL_5V >
RL_INTERFACE

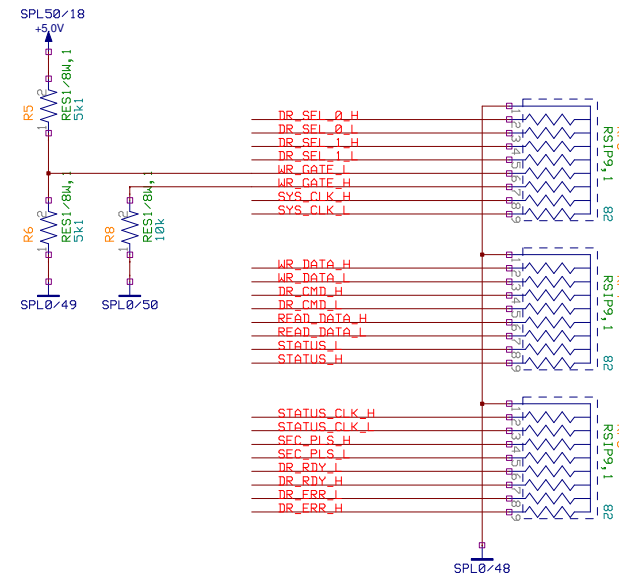
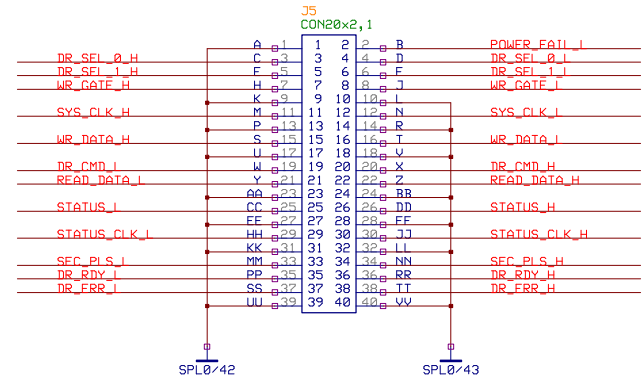
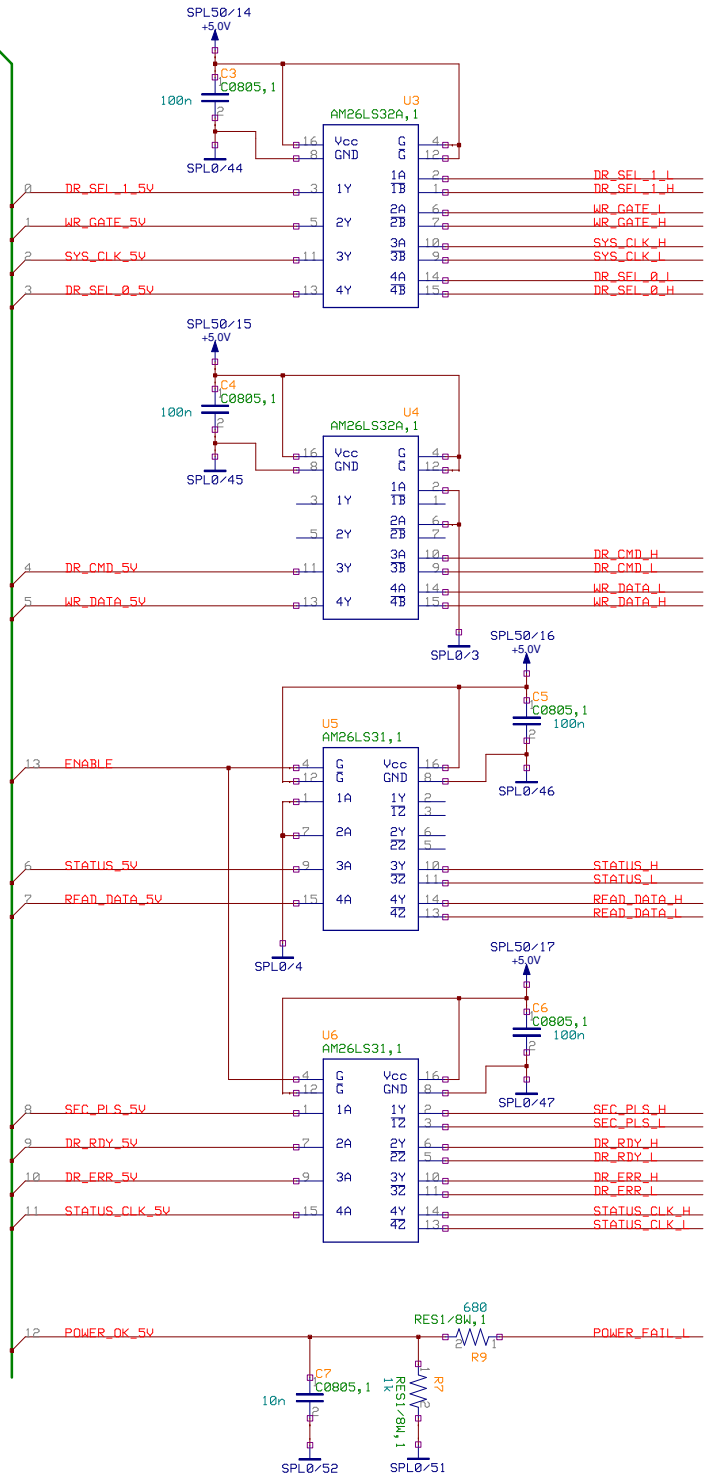


< RL_3V3 >
FPGA_INTERFACE



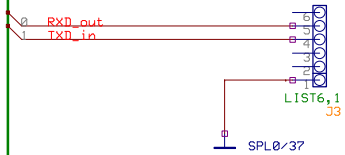


< RL_5V >
LVL_SHIFT



< RS232/SD >
FPGA_INTERFACE

RS232/SD



FTDI TTL-234X-3Y3 Cable

