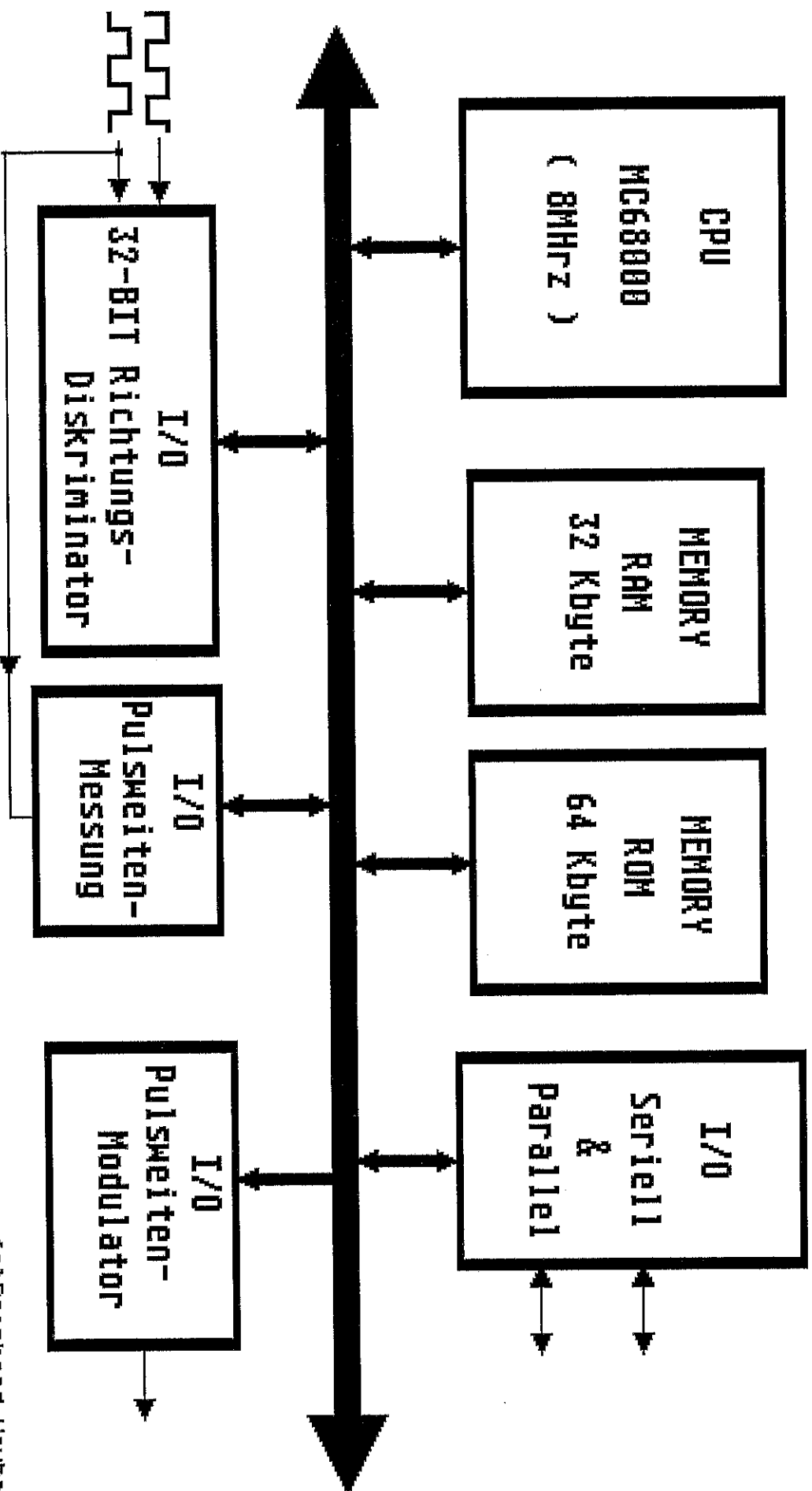
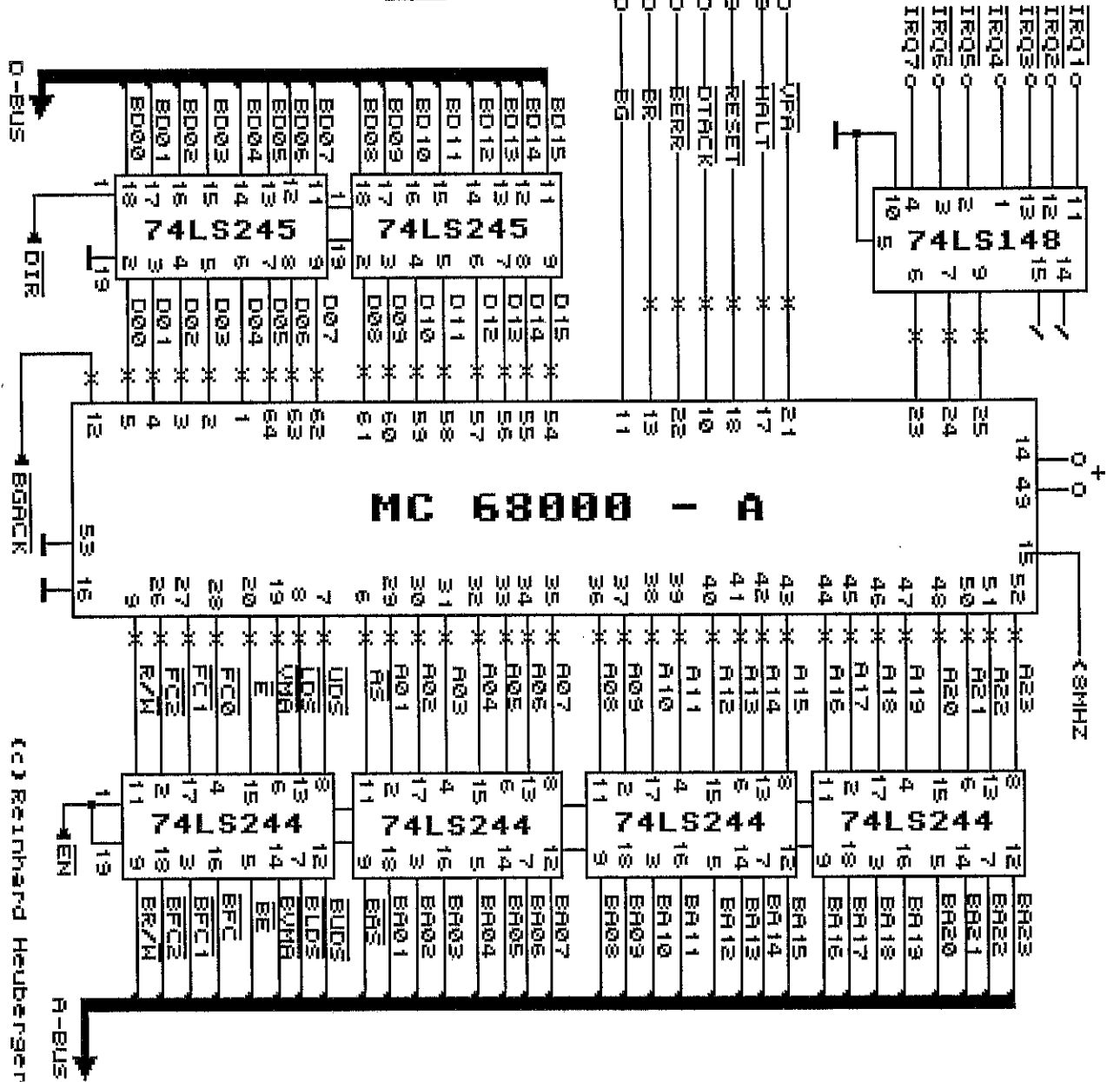
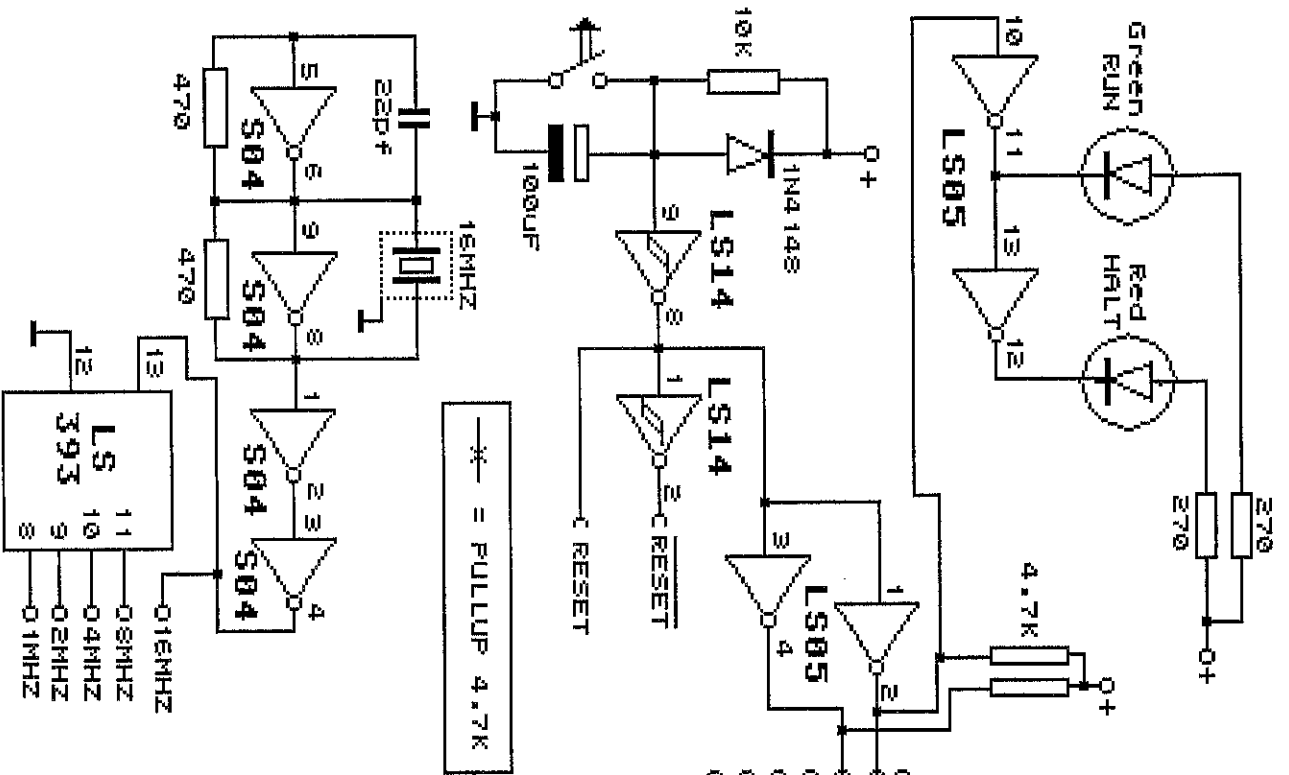
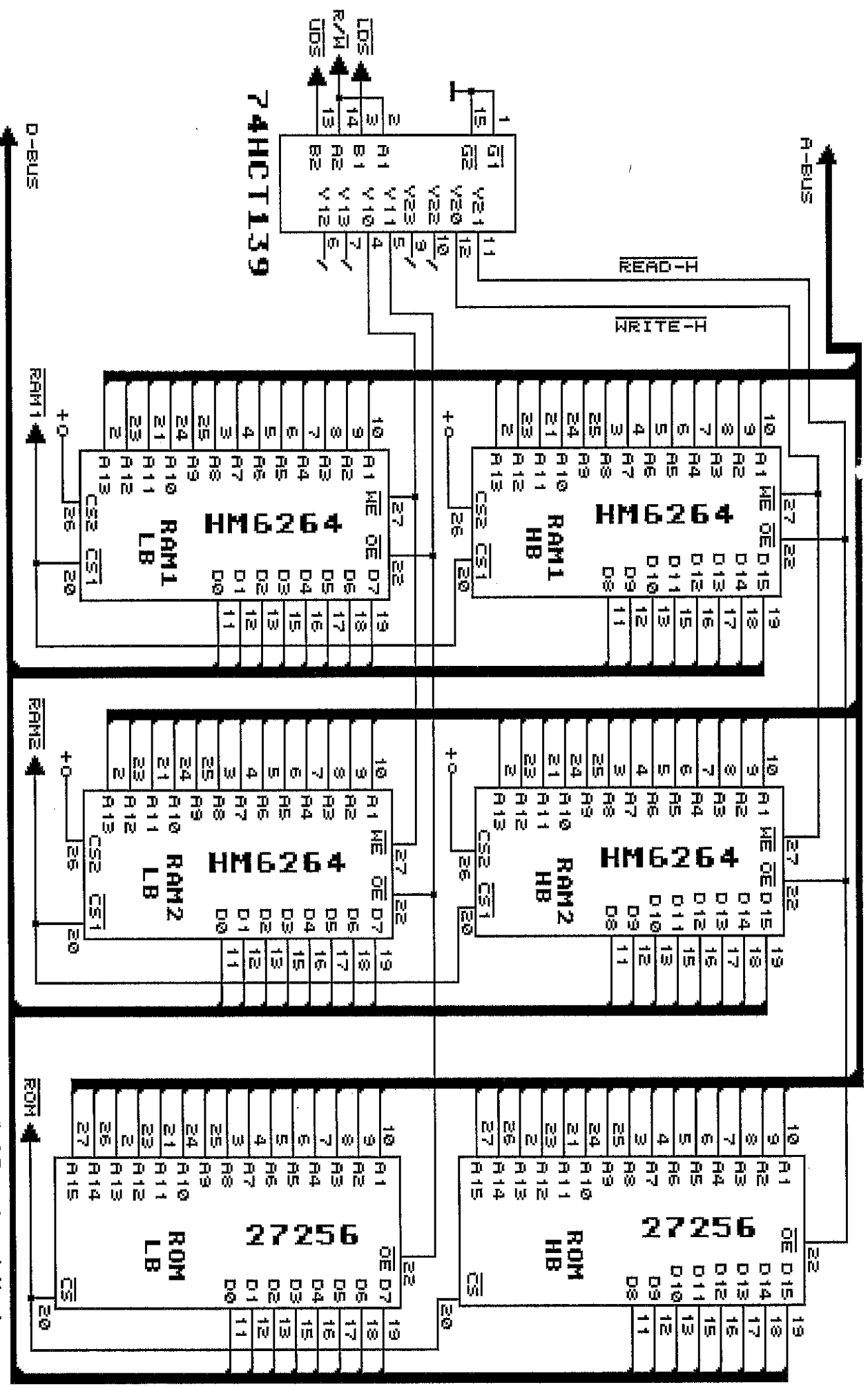


MC68000 Single-Board-Computer Blockschaltbild

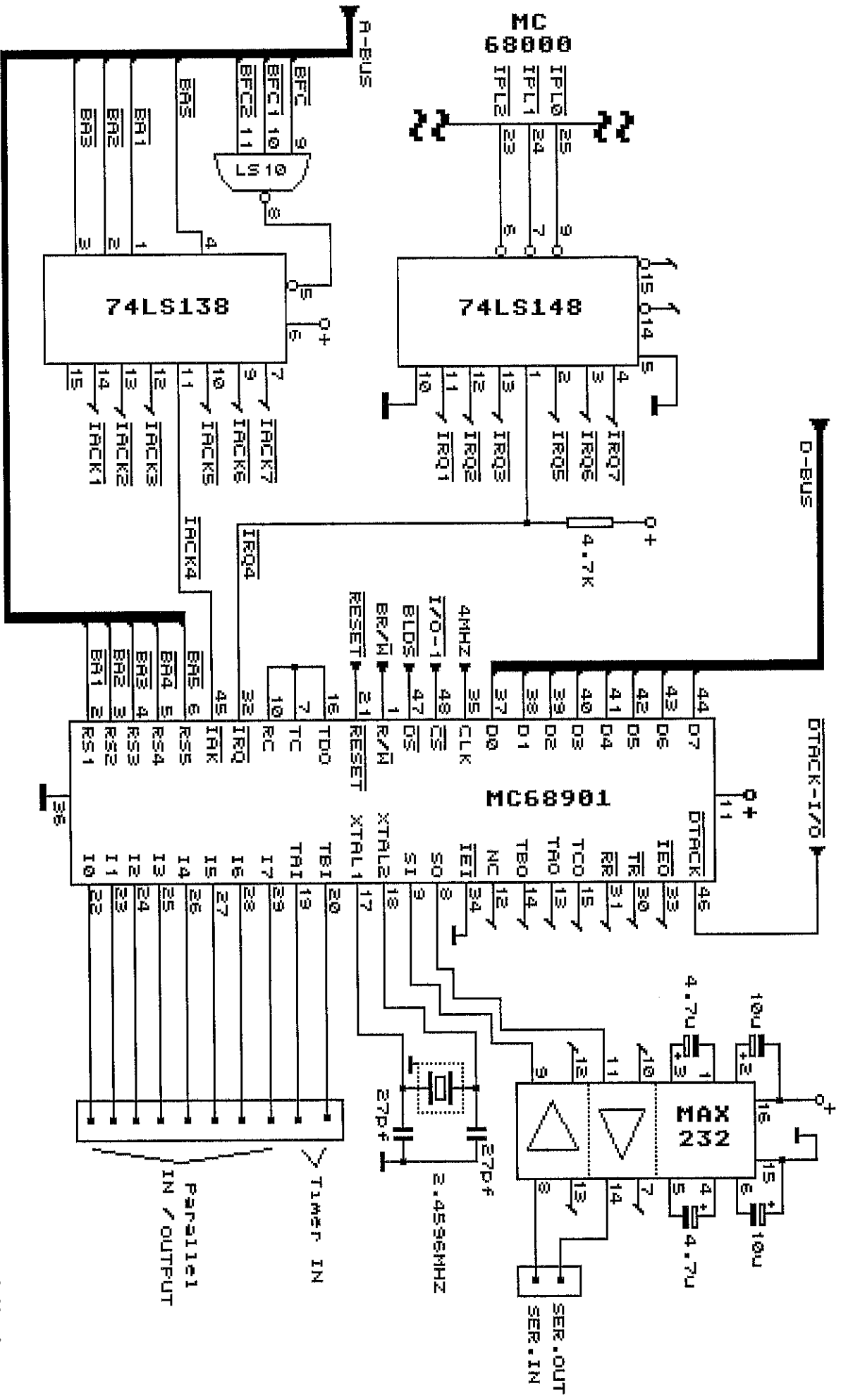




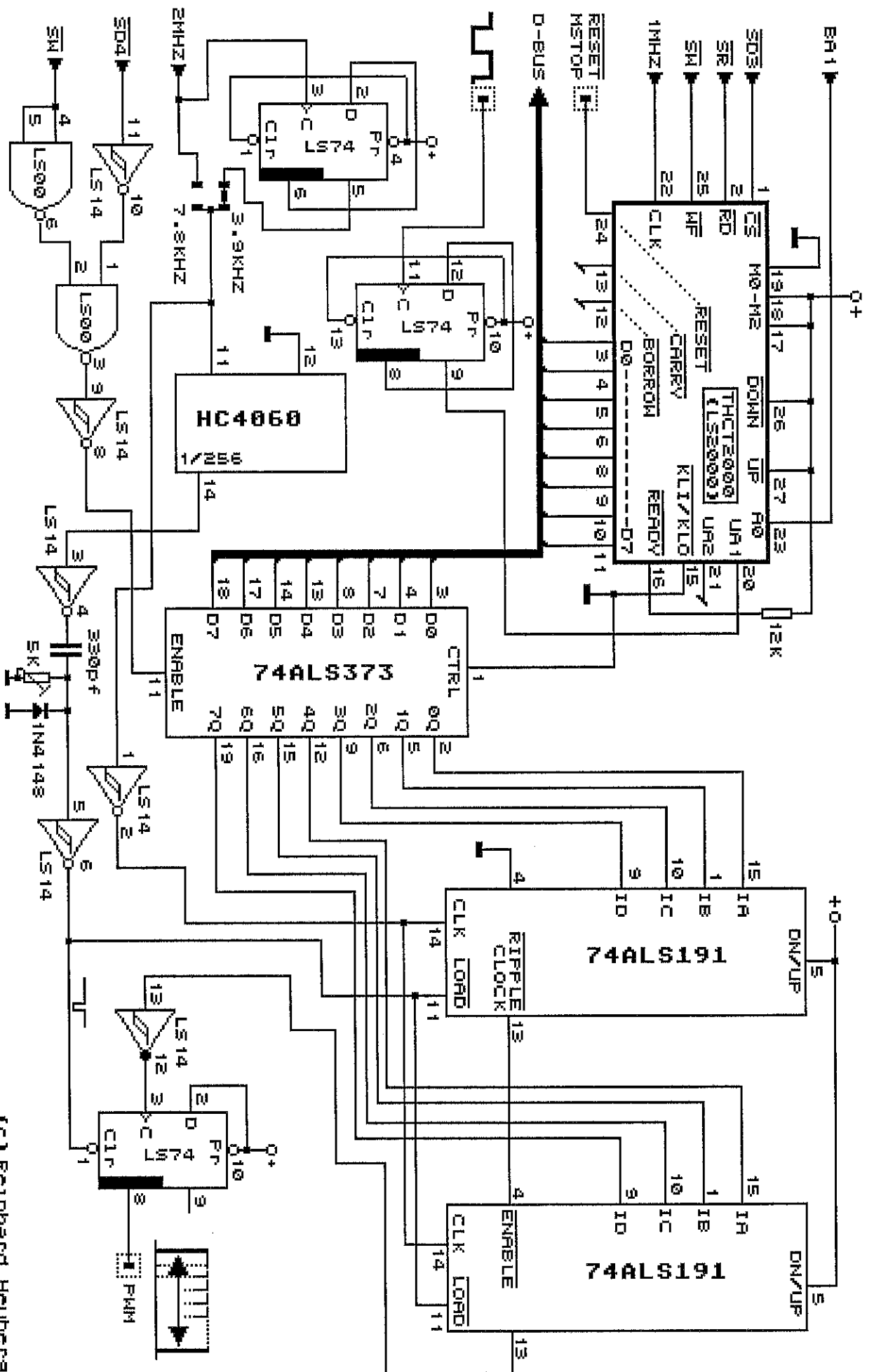
(c) Reinhard Heubergner

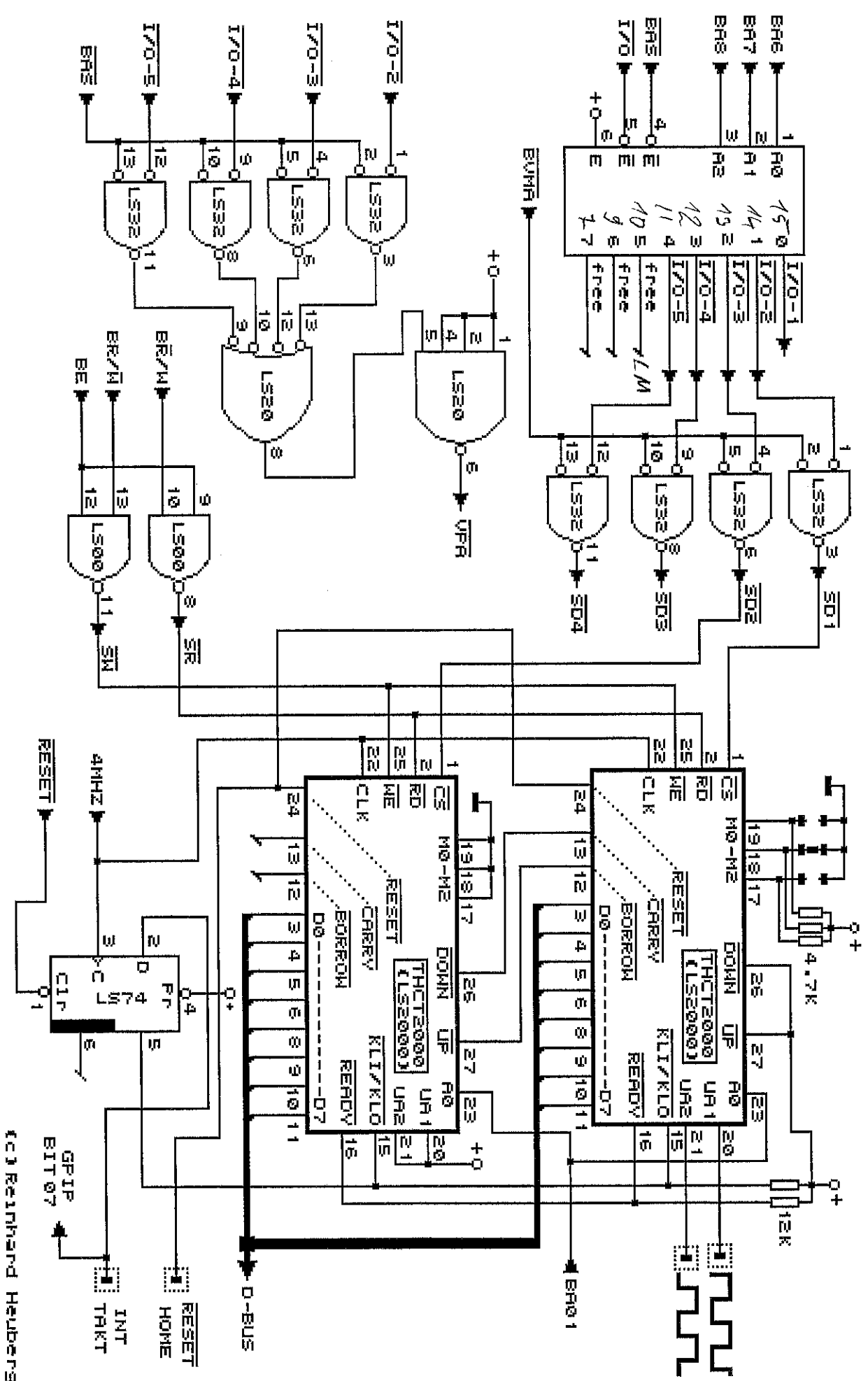


74HC139

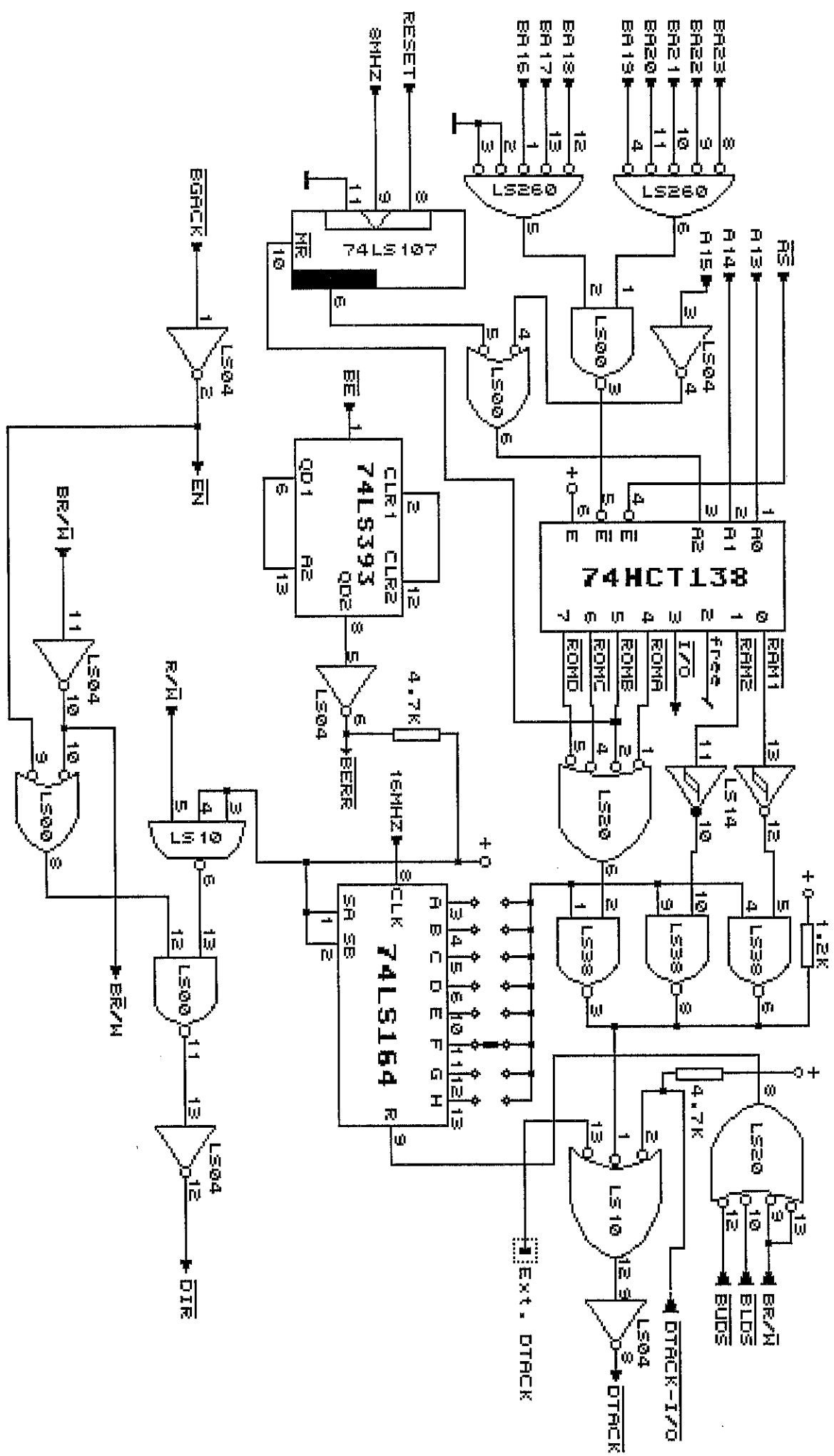


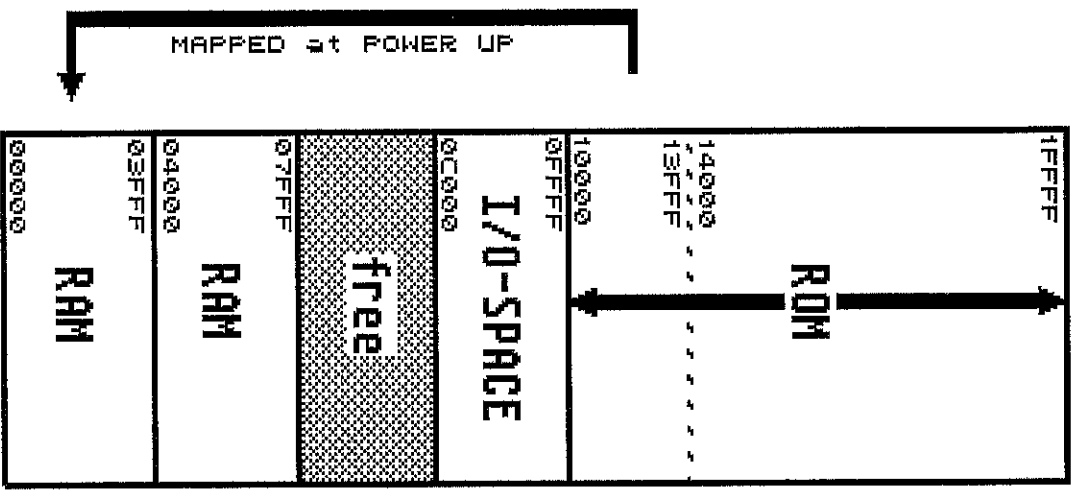
(c) Reinhard Haubergner





(C) Reinhard Heubergner





I/O - Addresses

- C001 - C02F = USART (MC68901)
- C041 & C043 = POSITION, BIT 00-15
- C081 & C083 = POSITION, BIT 16-31
- C0C1 & C0C3 = M-SPEED, BIT 00-15
- C100 = PULS-WIDTH MODULATION